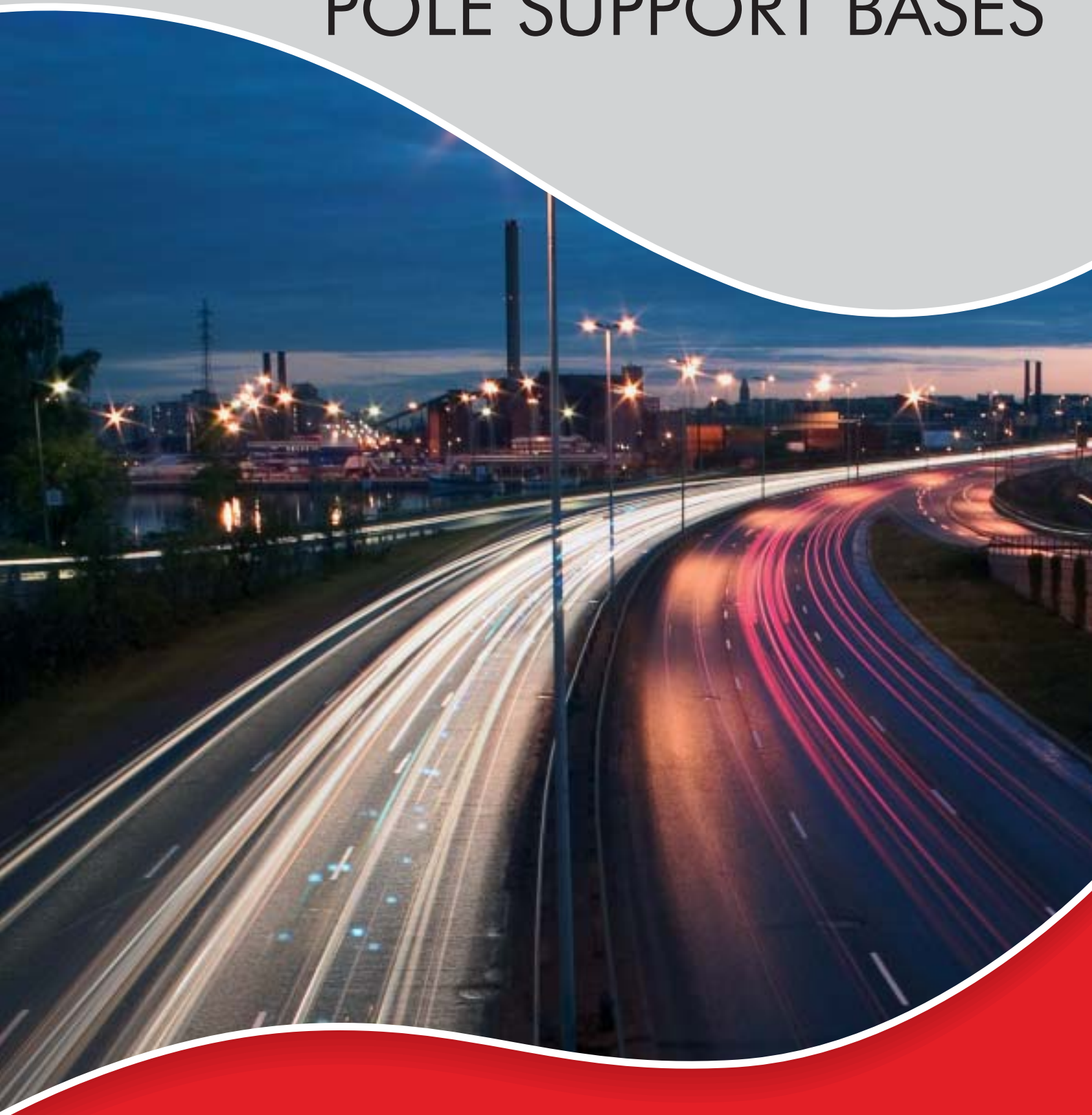


LUJA POLE SUPPORT BASES



Lujabetoni

MEASUREMENTS OF POLE SUPPORT BASES

Type	Electricity number	Base diameter mm	Pole height m	Base height mm	Base weight kg	Pipe lenght in base mm	Base bottom Ø mm
RBJ-A1	4607200	38-50 , 60.3	1 - 3	480	21	430	210
RBJ-A2	4607203	38-50 , 60.3	1 - 3	680	29	630	210
RBJ-A3	4607206	38-50 , 60.3	1 - 5	900	53	630	250
RBJ-A4	4607209	38-50 , 60.3	1 - 3	120	150	80	600 x 1200
RBJ-A5	4607505	55 x 132	1 - 3	400	130	350	500 x 500
RBJ-2A	4607212	100 - 143	1 - 4	700	78	470 - 510	310
RBJ-2B	4607215	100 - 143	1 - 4	700	78	470 - 510	310
RBJ-2D	4607218	114	1 - 4	700	78	470 - 510	310
RBJ-2.5A	4607221	100 - 143	1 - 5	915	105	470 - 510	370
RBJ-2.5B	4607224	100 - 143	1 - 5	915	105	470 - 510	370
RBJ-2.5D	4607227	114	1 - 5	915	105	470 - 510	370
RBJ-2.8D	4607528	88,9	1 - 5	915	115	510	370
RBJ-3A	4607230	100 - 143	1 - 6	950	169	500 - 550	490
RBJ-3B	4607233	100 - 143	1 - 6	950	169	500 - 550	490
RBJ-3C	4607236	100 - 143	1 - 6	950	169	500 - 550	490
RBJ-3D	4607239	114	1 - 6	950	169	500 - 550	490
RBJ-4A	4607242	100 - 143	4 - 8	1300	273	500 - 550	490
RBJ-4B	4607245	100 - 143	4 - 8	1300	273	500 - 550	490
RBJ-4C	4607248	100 - 143	4 - 8	1300	273	500 - 550	490
RBJ-4D	4607251	114	4 - 8	1300	273	500 - 550	490
RBJ-4.5A	4607254	128 - 168	6 - 10	1250	314	620 - 670	600
RBJ-4.5B	4607257	128 - 168	6 - 10	1250	314	620 - 670	600
RBJ-4.5C	4607260	128 - 168	6 - 10	1250	314	620 - 670	600
RBJ-4.8A	4607275	128 - 168	8 - 11	1500	490	620 - 670	650
RBJ-4.8B	4607278	128 - 168	8 - 11	1500	490	620 - 670	650
RBJ-4.8C	4607281	128 - 168	8 - 11	1500	490	620 - 670	650
RBJ-5A	4607263	150 - 224	8 - 12	1500	500	680 - 760	600
RBJ-5B	4607266	150 - 224	8 - 12	1500	500	680 - 760	600
RBJ-5C	4607269	150 - 224	8 - 12	1500	500	680 - 760	600
RBJ-5SP	4607550	150 - 224	8 - 12	1500	500	680 - 760	600
RBJ-6A	4607284	150 - 224	8 - 15	1800	780	680 - 760	650
RBJ-6B	4607287	150 - 224	8 - 15	1800	780	680 - 760	650
RBJ-6C	4607290	150 - 224	8 - 15	1800	780	680 - 760	650
RBJ-6SP	4607560	150 - 224	8 - 15	1800	780	680 - 760	650
RBJ-6/2200A	4607561	150 - 224	8 - 15	2200	1100	680 - 760	800
RBJ-6/2200B	4607563	150 - 224	8 - 15	2200	1100	680 - 760	800
RBJ-6/2200C	4607302	150 - 224	8 - 15	2200	1100	680 - 760	800
RBJ-6/2200SP	4607562	150 - 224	8 - 15	2200	1100	680 - 760	800
RBJ-61C	4607305	150 - 224	8 - 12	1100	340	680 - 760	470
RBJ-6L1C	4607308	150 - 224	8 - 12	1350	1800	680 - 760	1550 x 1550
RBJ-6L2C	4607311	150 - 224	8 - 12	1350	2200	680 - 760	1750 x 1750
RBJ-6L3C	4607314	150 - 224	8 - 12	1350	2570	680 - 760	1900 x 1900
RBJ-7C	4607323	250 - 330	10 - 15	2000	1080	920 - 1000	600
RBJ-7SP	4607570	250 - 330	10 - 15	2000	1130	920 - 1000	600
RBJ-7/2400C	4607326	250 - 330	15 - 20	2400	1350	920 - 1000	600
RBJ-7/2400SP	4607567	250 - 330	15 - 20	2400	1430	920 - 1000	600

A = wooden wedge type, B = adjuster bolt type, C = reinforced type with adjuster bolts, D = plastic locking ring type, SP = type for safety poles

SUPPLIES

PLASTIC LOCKING RINGS

	Electricity number
PLASTIC LOCKING RING FOR 38 - 50 MM POLES	4607332
PLASTIC LOCKING RINGS FOR 60.3 MM POLES	4607335
PLASTIC LOCKING RING FOR 88.9 MM POLES	4607593
PLASTIC LOCKING RING FOR 114 MM POLES	4607338



WOODEN WEDGES

	Electricity number
SET OF 3 WOODEN WEDGES FOR 30 - 50 MM POLES	4607341
SET OF 4 WOODEN WEDGES FOR 100 - 143 MM POLES	4607344
SET OF 4 WOODEN WEDGES FOR 150 - 224 MM POLES	4607347



PROTECTIVE RUBBERS

For bases	Protective rubber	Electricity number	Pole Ø mm
RBJ-2 - RBJ-4.8	235/95 K	4607383	100 - 110
RBJ-2 - RBJ-4.8	235/103 K	4607386	111 - 120
RBJ-2 - RBJ-4.8	235/113K	4607389	121 - 134
RBJ-2 - RBJ-4.8	235/126 K	4607392	135 - 143
RBJ-4.5 - RBJ-4.8	235/145 K	4607395	150 - 168
RBJ-5 - RBJ-6	360/147 K	4607398	150 - 166
RBJ-5 - RBJ-6	360/153 K	4607401	167 - 175
RBJ-5 - RBJ-6	360/170 K	4607403	176 - 192
RBJ-5 - RBJ-6	360/187 K	4607405	193 - 209
RBJ-5 - RBJ-6	360/204 K	4607407	210 - 224
RBJ-2.8D	88.9	4607594	88.9



PACKING

Bases RBJ-A1 - RBJ-4.8 are packed on pallets.

Bases RBJ - 5 and bigger are packed on pallets depending on customer's requirements or transportation method.

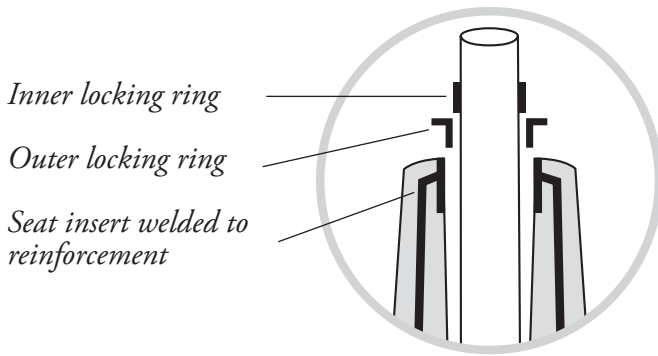
For bases RBJ-4 and RBJ-5 transportation support can be used if necessary.



INSTALLATION INSTRUCTIONS

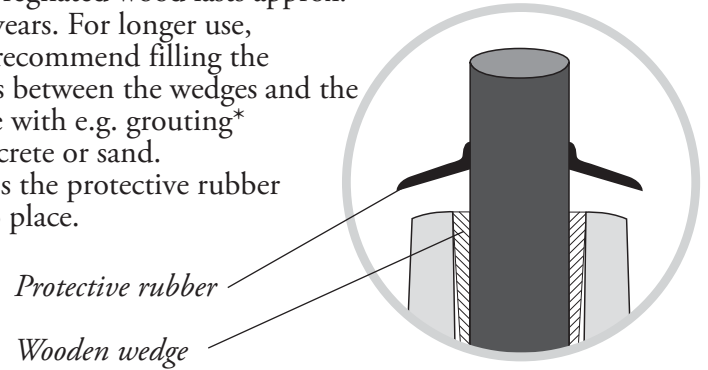
POLE SUPPORT BASES RBJ-A1, RBJ-A2 JA RBJ-A3

1. Slip the plastic locking rings onto the pole
2. Push the pole into the base until it locks into the rectangular base.
3. Hammer in the locking rings between the base and pole.



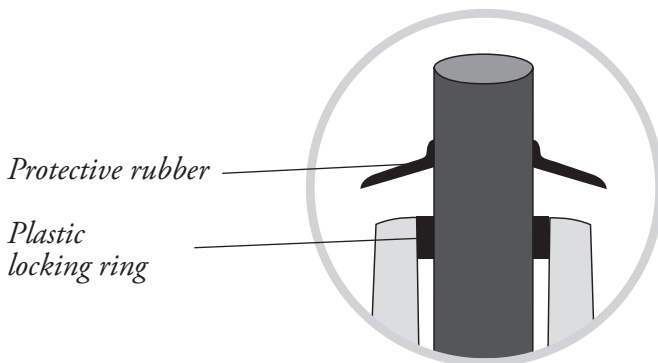
POLE SUPPORT BASES WEDGE TYPES

1. Slip the protective rubber onto the pole.
2. Lower the pole onto the base (as far as it will go).
3. Straighten the pole.
4. Insert the wooden wedges (4) on opposite sides between the pole and the base and hammer them in firmly.
5. Cut off that part of the wedge remaining above the base.
6. Impregnated wood lasts approx. 25 years. For longer use, we recommend filling the gaps between the wedges and the pole with e.g. grouting* concrete or sand.
7. Press the protective rubber into place.



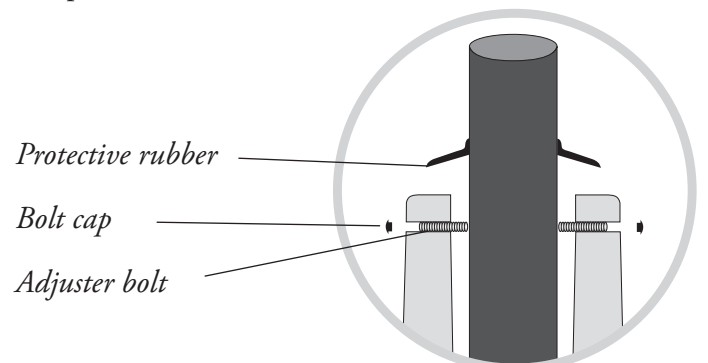
POLE SUPPORT BASES RBJ-2D, RBJ-2.5D, RBJ-2.8D, RBJ-3D, RBJ-4D FOR 114 mm POLES

1. Slip the protective rubber onto the pole.
2. Slip the plastic locking ring onto the pole.
3. Lower the pole into the base (as far as it will go).
4. Hammer in the locking ring between the base and the pole.
5. Press the protective rubber onto the base.



POLE SUPPORT BASES ADJUSTER BOLT TYPES

1. Slip the protective rubber onto the pole.
2. Lower the pole into the base (as far as it will go).
3. Loosen the plastic bolt caps.
4. Straighten the pole.
5. Tighten the adjuster bolts with an 8 mm Allen key. Do not overtighten or the pole will be damaged.
6. Replace the bolt caps.
7. Press the protection rubber onto the base.



POLE SUPPORT BASES RBJ-7C, RBJ-7/2400C 250 - 360 mm FOR LIGHTING MASTS

Adjuster bolts are used to straighten the mast. After adjustment, the gap between the mast and the base must be filled with grouting* concrete. The mast must not be held by adjuster bolts only.

* grouting concrete = extremely strong expanding concrete

FOR TRAFFIC LIGHTS, SIGNS, CAR ENGINE WARMER POLES AND GARDEN LIGHTING

Pole 38-50 mm, 60.30 mm

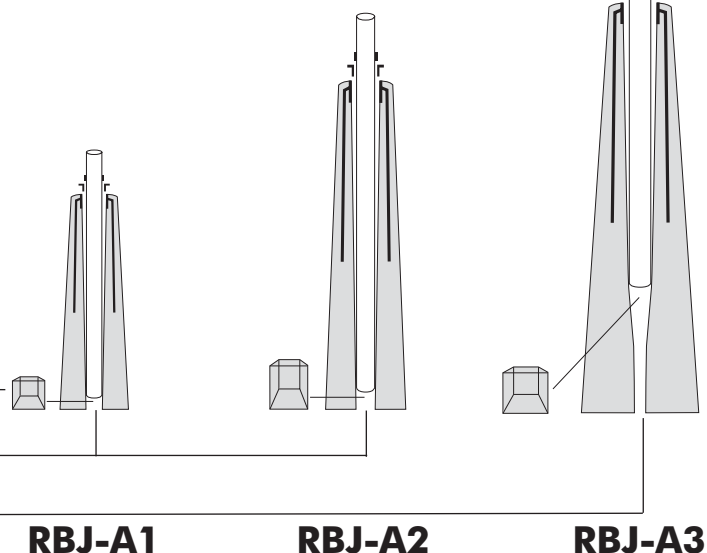
Correspond to FINNRA (Finnish Road Administration) base types A1, A2 and A3.

Two locking rings are used to lock \varnothing 60.3 mm pipe. With two locking rings the pipe shaft can be changed, if necessary. The support bases can also be used for \varnothing 30 - 50 mm pipes, in which case only one locking ring is required.

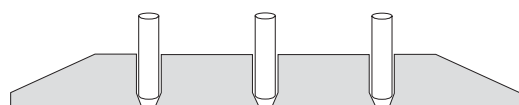
Rectangular locking base to prevent pipe movement

Cable opening 50 mm

Drainage hole 25 mm

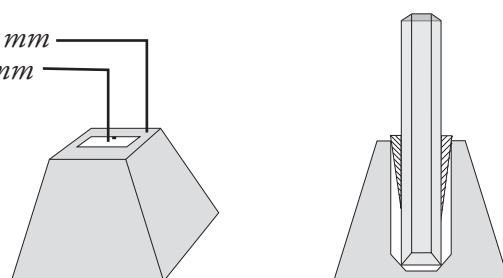


SPECIAL TYPES



RBJ-A4

250 x 250 mm
172 x 85 mm



RBJ-A5

FOR LIGHTING POLES AND SIGNS

Pole 1 - 8 m, base \varnothing 100 - 143 mm

Correspond to FINNRA base types
B1 = RBJ-2.5D and B2 = RBJ-4D.

A = wooden wedge type

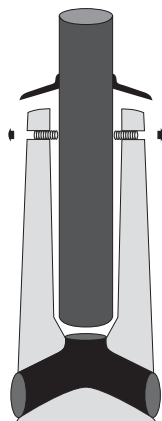
B = adjuster bolt type (3 bolts)

C = reinforced type with adjuster bolts (3 bolts)

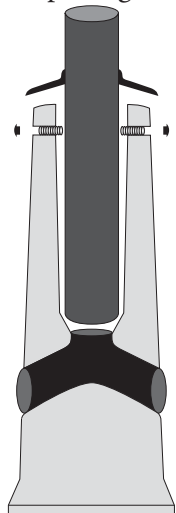
D = plastic locking ring type for 114 mm poles

RBJ-2.8D = for 88.9 mm poles

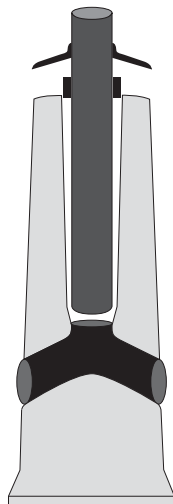
RBJ-2.5DD = without a cable opening



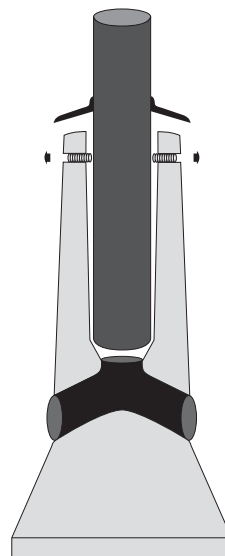
RBJ-2



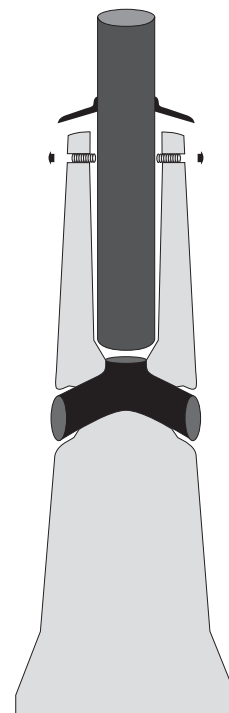
RBJ-2.5



RBJ-2.8D



RBJ-3



RBJ-4

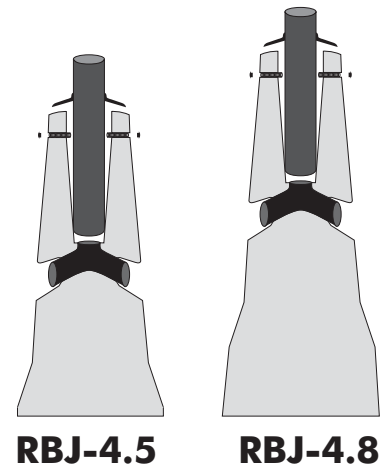
FOR ROAD AND STREET LIGHTING

Pole 6 - 11 m, base Ø 128 - 168 mm

A = wooden wedge type

B = adjuster bolt type (4 bolts)

C = reinforced type with adjuster bolts (4 bolts)



RBJ-4.5

RBJ-4.8

FOR ROAD AND STREET LIGHTING

Pole 8 - 15 m, base Ø 150 - 224 mm

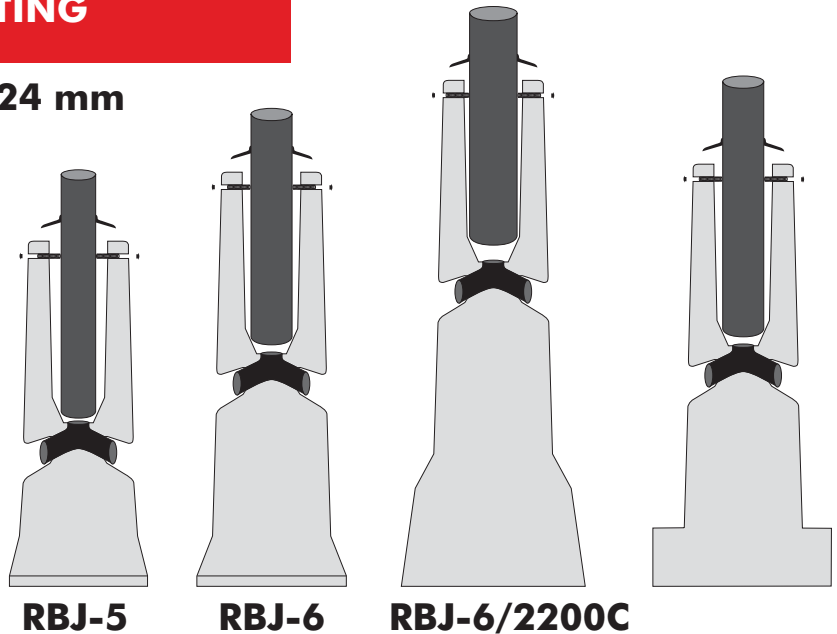
Approved by FINNRA

A = wooden wedge type

B = adjuster bolt type
(RBJ-5B 4 bolts, RBJ-6B 6 bolts)

C = reinforced type with adjuster bolts
(RBJ-5C 4 bolts, RBJ-6C 6 bolts)

SP = type for safety poles with adjuster bolts
(6 bolts)



RBJ-5

RBJ-6

RBJ-6/2200C

FOR LIGHTING MASTS

Pole 10 - 20 m, base Ø 250 - 360 mm

C = reinforced type with adjuster bolts (6 bolts)

SP = type for safety poles with adjuster bolts (8 bolts)

RBJ-7C and RBJ-7/2400C bases: adjuster bolts are used to straighten the mast. After adjustment, the gap must be filled with grouting concrete. The mast must not be held in place by adjuster bolts only.

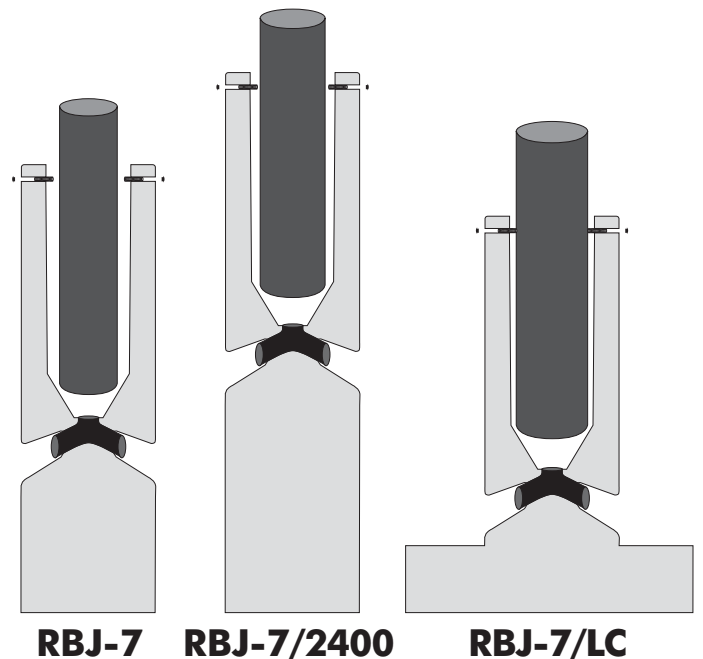
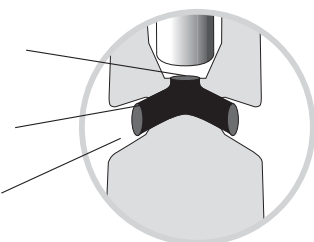
RBJ-7SP and RBJ-7/2400SP 250 - 280 mm for safety poles. The mast can be held in place by adjuster bolts. The pole manufacturer will supply a protective shroud.

Slab base RBJ-7LC is custom-made.

Plastic cable opening
Ø 95 mm

Plastic cable opening
Ø 100 mm

Cable protection pipe
installation opening
Ø 125 mm



RBJ-7

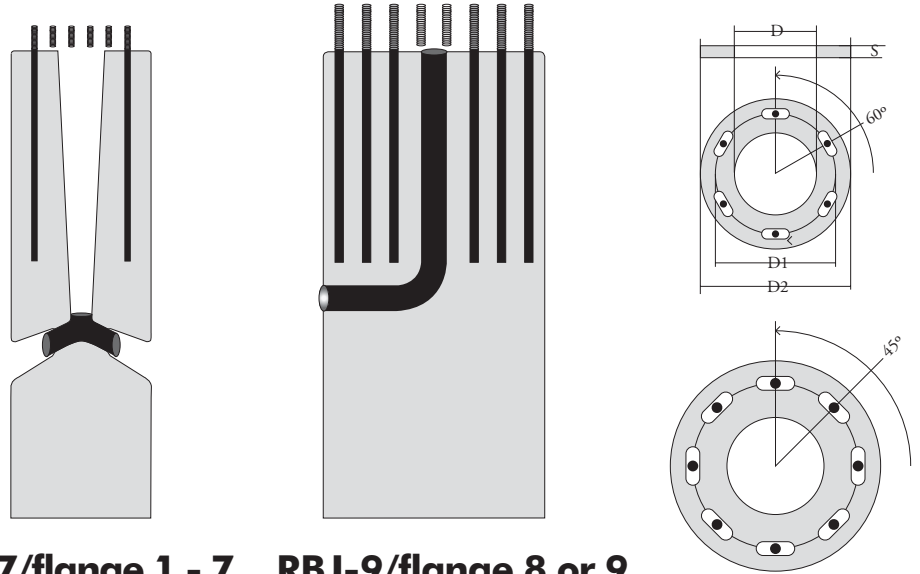
RBJ-7/2400

RBJ-7/LC

FOR POLES WITH FLANGE

The measurements of standard slab are 1850 x 1850 x 250 mm and the weight is 2050 kg.

The bases are also made with slab to customer's dimensions.

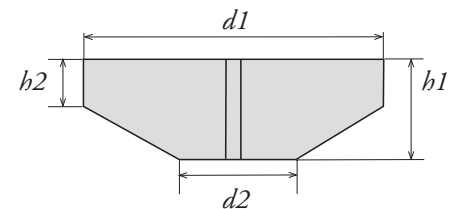


RBJ-7/flange 1 - 7 RBJ-9/flange 8 or 9

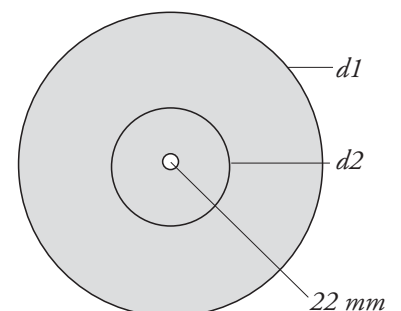
BASE TYPE	RBJ-7 / Flange	RBJ-9 / Flange
FLANGE	1, 2, 3, 4, 5, 6 or 7	8 or 9
BASE HEIGHT mm	2000 or 2400	2000 or 2500
BASE WEIGHT kg	1130 or 1430	3400 or 4250
BASE DIAMETER Ø mm	600	950

Flange	1	2	3	4	5	6	7	8	9
D1	200	250	325	325	400	450	500	550	650
D2	260	325	420	420	500	560	620	700	800
S	20	25	25	32	40	40	40	40	50
Bolt	M16	M20	M24	M24	M24	M30	M30	M36	M36
K	90°	90°	90°	90°	60°	60°	45°	45°	45°
D	108	140	168	219	273	323	323	323	323
Electricity no.	4607571	4607572	4607573	4607574	4607575	4607576	4607577	4607578	4607579

BLOCKS FOR STAYS



Type	Electricity no.	d1	d2	h1	h2
HL43 SFS 2648	4607590	430	140	100	40
HL60 SFS2648	4607591	600	195	140	55



Lujabetoni is a versatile construction supplier which offers a comprehensive service to its clients. The strengths of Lujabetoni are its reliability and highly flexible customer service. The needs and wishes of the customers encourage Lujabetoni to constantly improve its supply of higher-quality products and services for the construction industry.

The extensive product range includes construction and farm components, ready-mixed concrete, railroad sleepers, piles, bricks, landscape products and Luja Brick House Kits.

The Luja pole support bases are designed to take into account in particular the pole adjustment, durability of the base top, the cable opening design and the base weight.

All of our pole support bases meet the quality requirements of the Finnish Road Administration's general instructions for traffic signs TIEL 2131911. Bases RBJ-B and RBJ-C have qualification approval Skk-295. The bases for safety poles are tested in various collision tests several times.

Lujabetoni became the first national concrete supplier to be awarded a certificate that covers the entire integrated management system - in other words quality, health and safety and environmental issues.



**ISO 9001
ISO 14001
OHSAS 18001**



**The Strongest Concrete Expert
at your service!**

Valkeiskyläntie 66, FI-74200 VIEREMÄ
Tel. +358 (0)20 789 5670
Fax +358 (0)20 789 5679
E-mail: firstname.lastname@luja.fi

www.lujabetoni.fi